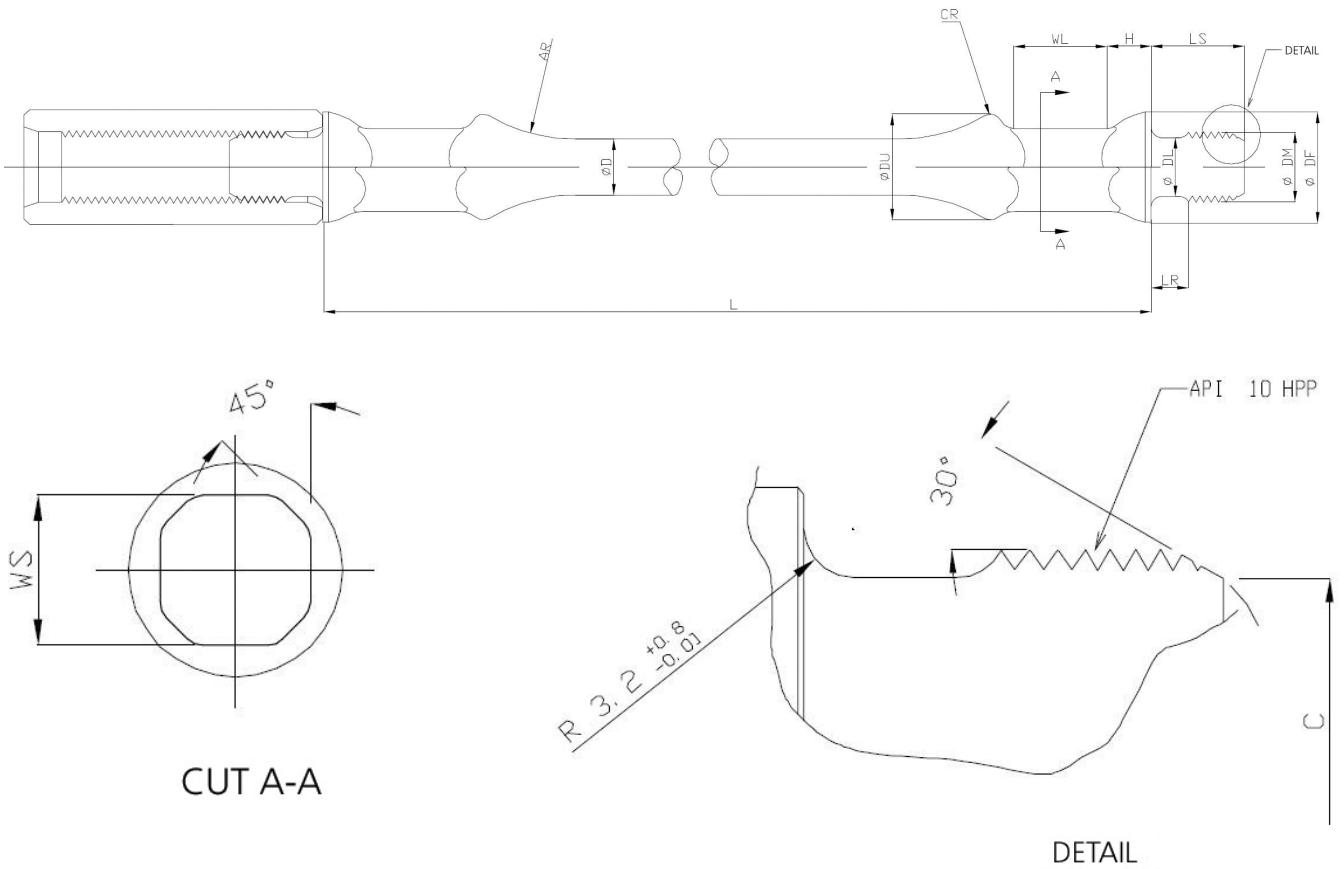


Sucker Rods Dimensions



SUCKER RODS DIMENSIONAL CHARACTERISTICS													
DIAM. / DIMENSIONS [MM]	D	DM	DL	DF	DU	C	LS	LR	AR (*) ± 3.17	CR (*)	WS	WL (MIN.)	H (*) $+2 / -1$
5/8"	15.88	23.78 23.45	20.20 19.94	31.93 31.55	NA	19.5 18.2	33.32 31.75	13.90 13.11	NA	NA	22.2	31.8	NA
3/4"	19.05	26.95 26.62	23.37 23.11	38.23 37.85	NA	21.0 20.0	38.07 36.50	15.88 15.09	NA	NA	25.4	31.8	NA
7/8"	22.23	30.13 29.80	26.55 26.29	41.43 41.05	NA	24.2 23.0	42.85 41.28	17.86 17.07	NA	NA	25.4	31.8	NA
1" P 7/8"	25.4	30.13 29.80	26.55 26.29	41.43 41.05	NA	24.2 23.0	48.50 49.50	10.80 10.00	NA	NA	26.2 24.6	31.8	17.0
1"	25.4	34.89 34.56	31.30 31.04	50.93 50.55	NA	29.4 28.0	49.20 47.63	21.03 20.24	NA	NA	33.3	31.8	NA
1 1/8"	28.58	39.65 39.32	36.05 35.79	57.58 56.82	NA	33.9 32.4	55.55 53.98	23.02 22.23	NA	NA	38.1	41.3	NA
1 1/4" P 1"	31.75	34.90 34.56	31.30 31.04	50.93 50.55	53.0 47.0	29.4 28.0	49.20 47.63	10.80 10.00	85.7	7.5 5.8	37.0 34.5	38.1	25.6
1 1/4" P 1 1/8"	31.75	39.65 39.32	36.05 35.79	57.55 56.82	55.6 50.5	23.81 27.81	55.55 53.98	10.80 10.00	85.7	7.5 5.8	38.9 37.0	41.3	23.0
1 1/2" P 1 1/8"	38.1	39.65 39.32	36.05 35.79	57.58 56.82	55.6 50.5	33.9 32.4	55.55 53.98	10.80 10.00	85.7	7.5 5.8	38.9 37.0	41.3	23.0

(*) Referential Values.